

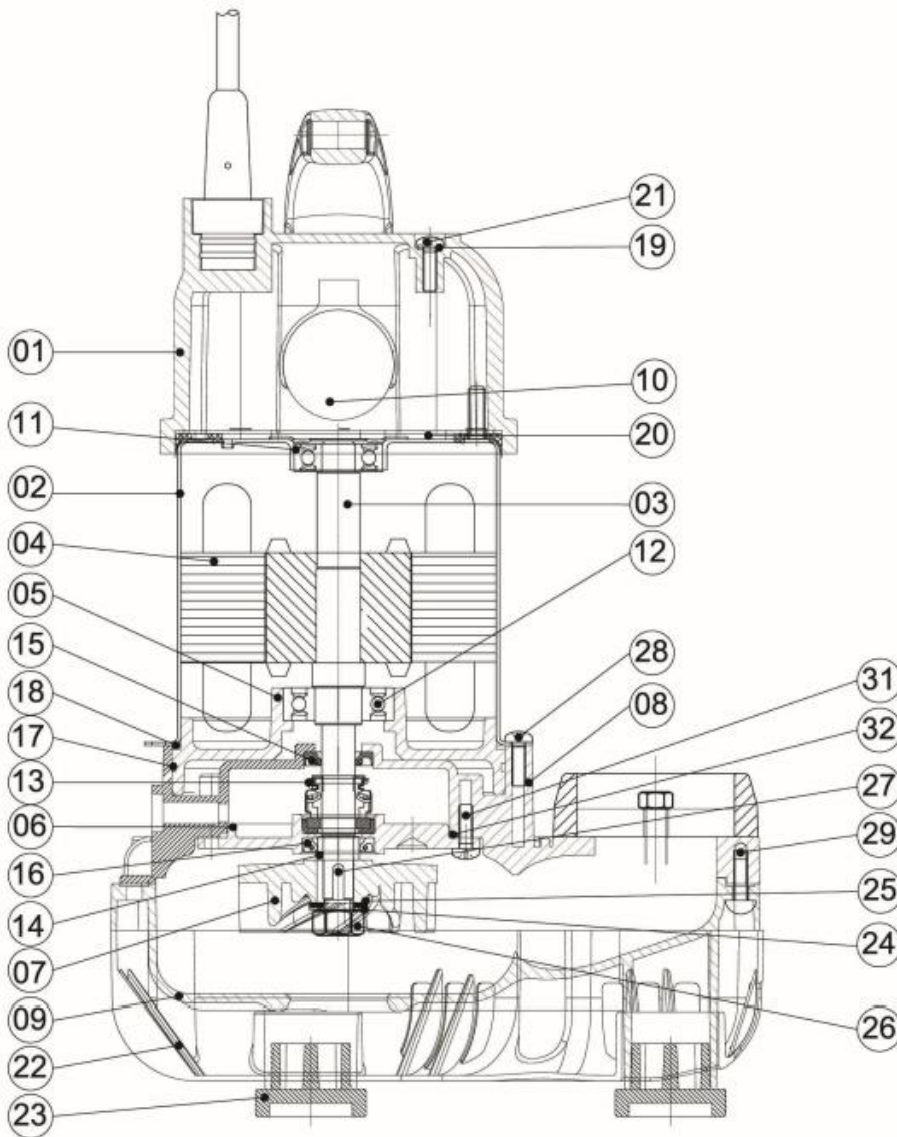
# XPF SERIES PUMP

## CONSTRUCTION & PARTS BREAKDOWN



800.752.0399  
www.tetonus.com

Teton is manufactured  
by Castle Aquatics  
www.castleaquatics.com



No.	Part Name	Qty
1	TOP COVER	1
2	MOTOR HOUSING	1
3	SHAFT	1
4	STATOR/COIL	1
5	LOWER BEARING COVER	1
6	OIL SEAL COVER	1
7	IMPELLER	1
8	UPPER PUMP CASING	1
9	VOLUTE	1
10	CAPACITOR	1
11	UPPER BEARING	1
12	LOWER BEARING	1
13	MECH. SEAL	1
14	SLEEVE	1
15	OIL SEAL COVER	1
16	OIL SEAL COVER	1
17	O-RING	1
18	O-RING	1
19	O-RING	1
20	PACKING	1
21	SCREW	1
22	STRAINER	1
23	PUMP FEET	1
24	SHEATH WASHER	1
25	WASHER	1
26	NUT	1
27	KEY	1
28	SCREW	8
29	SCREW	8
30	SCREW	4
31	SCREW	6
32	O-RING	1

## AVAILABLE REPLACEMENT PARTS

Repl. Part No.	Part Name
999320	VOLUTE FOR XPF PUMPS
999350	REPLACEMENT XPF PUMP INTAKE SCREEN
999375	REPL. CORD XPF3700/4500 (2020-PRESENT)
999525	REPL. CORD XPF5200/6000 (2020-PRESENT)
999300	REPLACEMENT 1-1/2" OUTLET FLANGE XPF3700
999310	REPLACEMENT 2" OUTLET FLANGEXPF4500-6000
999370	REPL. CORD FOR XPF3700/4500
999520	REPL. CORD FOR XPF5200/6000